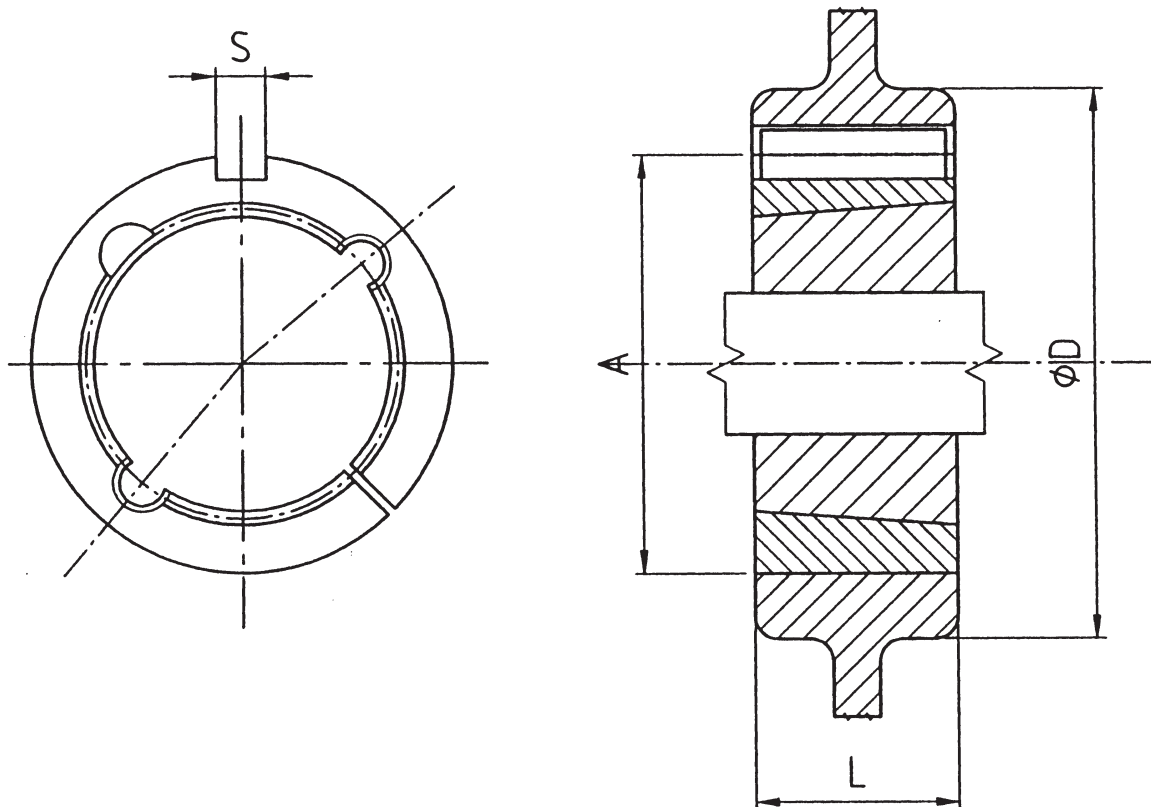


# TAPER BUSHES ADAPTERS



Adapter Type	Bush No.	L	A	Hub minimum Ø D		S
				Cast Iron	Steel	
A-CH 1008	1008	22	45	75	60	5 x 5
A-CH 1210	1210	25	60	105	85	6 x 6
A-CH 1610	1610	25	70	115	95	10 x 8
A-CH 1615	1615	38	70	115	95	10 x 8
A-CH 2517	2517	45	105	150	130	16 x 10
A-CH 3030	3030	76	130	190	160	20 x 12
A-CH 3535	3535	90	160	240	200	22 x 12
A-CH 4040	4040	102	185	290	240	24 x 12