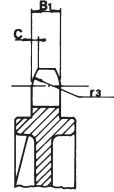
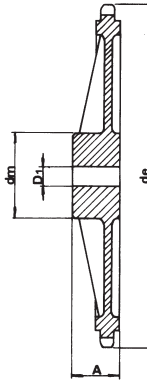
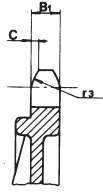
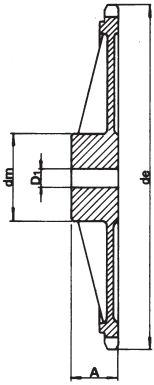


CAST IRON SPROCKETS: G 20 UNI 5007



3/8" x 7/32" for roller chains in compliance with DIN 8187 ISO/R 606

z	d _e	d _p	SINGLE			DOUBLE			TRIPLE		
			d _m	D ₁	A	d _m	D ₁	A	d _m	D ₁	A
38	119.5	115.35	70	19	32	80	19	40	90	23	56
45	140.7	136.55	70	19	32	80	19	40	90	23	56
57	176.9	172.91	70	19	32	80	19	40	90	23	56
76	234.9	230.49	70	19	32	80	19	40	100	23	56
*95	292.5	288.08	80	19	40	90	19	45	100	23	56
*114	349.6	345.68	80	19	40	90	19	45	100	23	56
*150	459.2	454.82	90	23	45	100	23	50	125	23	60

SPROCKET	mm
TOOTH RADIUS r ₃	10
RADIUS WIDTH C	1
SPROCKET TOOTH WIDTH B ₁	5.3
SPROCKET TOOTH WIDTH b ₁	5.2
SPROCKET TOOTH WIDTH B ₂	15.4
SPROCKET TOOTH WIDTH B ₃	25.6

CHAIN	mm
PITCH	9.525
INNER WIDTH	5.72
ROLLER - Ø	6.35

1/2" x 5/16" for roller chains in compliance with DIN 8187 ISO/R 606

z	d _e	d _p	SINGLE			DOUBLE			TRIPLE		
			d _m	D ₁	A	d _m	D ₁	A	d _m	D ₁	A
38	158.6	153.80	70	19	40	90	23	50	100	23	60
45	188	182.07	70	19	40	90	23	50	100	23	60
57	236.4	230.54	70	19	40	90	23	50	100	23	60
76	313.3	307.33	80	23	40	100	23	56	100	23	60
95	390.1	384.11	80	23	45	100	23	56	120	23	67
114	466.9	460.90	90	23	45	100	23	63	120	23	67

SPROCKET	mm
TOOTH RADIUS r ₃	13
RADIUS WIDTH C	1.3
SPROCKET TOOTH WIDTH B ₁	7.2
SPROCKET TOOTH WIDTH b ₁	7
SPROCKET TOOTH WIDTH B ₂	21
SPROCKET TOOTH WIDTH B ₃	34.9

CHAIN	mm
PITCH	12.7
INNER WIDTH	7.75
ROLLER - Ø	8.51

5/8" x 3/8" for roller chains in compliance with DIN 8187 ISO/R 606

z	d _e	d _p	SINGLE			DOUBLE			TRIPLE		
			d _m	D ₁	A	d _m	D ₁	A	d _m	D ₁	A
38	199.2	192.24	80	19	40	100	29	50	100	31	60
45	235	227.58	80	19	40	100	29	50	100	31	60
57	296	288.18	90	23	45	100	29	56	100	31	63
*76	392.1	384.16	90	23	50	100	29	63	110	34	67
*95	488.5	480.14	100	23	56	110	29	63	125	34	70
*114	584.1	576.13	100	23	56	125	29	70	125	34	80

SPROCKET	mm
TOOTH RADIUS r ₃	16
RADIUS WIDTH C	1.6
SPROCKET TOOTH WIDTH B ₁	9.1
SPROCKET TOOTH WIDTH b ₁	9
SPROCKET TOOTH WIDTH B ₂	25.5
SPROCKET TOOTH WIDTH B ₃	42.1

CHAIN	mm
PITCH	15.875
INNER WIDTH	9.65
ROLLER - Ø	10.16

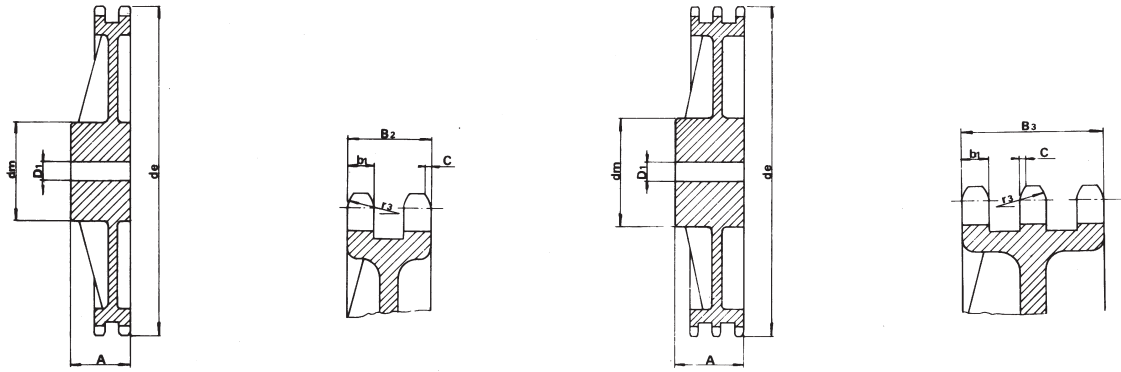
3/4" x 7/16" for roller chains in compliance with DIN 8187 ISO/R 606

z	d _e	d _p	SINGLE			DOUBLE			TRIPLE		
			d _m	D ₁	A	d _m	D ₁	A	d _m	D ₁	A
38	239	230.69	100	23	56	110	29	63	140	31	70
45	282.5	273.1	100	23	56	110	29	63	140	31	70
57	354	345.81	100	29	56	120	29	63	140	39	70
76	469.9	460.99	100	29	56	135	29	63	160	39	75
*95	585.1	576.17	100	29	65	135	29	70	170	39	82
*114	700.6	691.36	100	29	65	135	44	70	170	49	82

SPROCKET	mm
TOOTH RADIUS r ₃	19
RADIUS WIDTH C	2
SPROCKET TOOTH WIDTH B ₁	11.1
SPROCKET TOOTH WIDTH b ₁	10.8
SPROCKET TOOTH WIDTH B ₂	30.3
SPROCKET TOOTH WIDTH B ₃	49.8

CHAIN	mm
PITCH	19.05
INNER WIDTH	11.68
ROLLER - Ø	12.07

CAST IRON SPROCKETS: G 20 UNI 5007



1" x 17.02 mm for roller chains in compliance with DIN 8187 ISO/R 606

z	d _e	d _p	SINGLE			DOUBLE			TRIPLE		
			d _m	D ₁	A	d _m	D ₁	A	d _m	D ₁	A
30	254.0	243.00	110	29	65	125	39	75	145	39	90
38	320.0	307.59	110	29	65	140	39	75	160	44	100
45	377.0	364.13	125	29	70	148	39	75	160	44	100
57	474.0	461.08	125	34	70	160	39	90	165	44	100
76	627.0	614.65	140	34	80	175	39	95	200	44	110
95	781.0	768.22	140	39	80	175	44	95	200	49	110
*114	933.0	921.81	150	39	80	175	44	95	200	49	115

SPROCKET mm

TOOTH RADIUS r ₃	26
RADIUS WIDTH C	2.5
SPROCKET TOOTH WIDTH B ₁	16.2
SPROCKET TOOTH WIDTH b ₁	15.8
SPROCKET TOOTH WIDTH B ₂	47.7
SPROCKET TOOTH WIDTH B ₃	79.6

CHAIN mm

PITCH	25.4
INNER WIDTH	17.02
ROLLER - ø	15.88

1" 1/4 x 3/4" for roller chains in compliance with DIN 8187 ISO/R 606

z	d _e	d _p	SINGLE			DOUBLE			TRIPLE		
			d _m	D ₁	A	d _m	D ₁	A	d _m	D ₁	A
30	318.9	303.75	115	34	70	130	39	80			
38	399.6	384.49	125	34	70	140	44	90	170	55	110
45	470.3	455.17	125	34	70	140	44	90			
57	591.5	576.36	135	39	80	160	49	100	180	62	125
76	783.5	768.32	140	49	90	180	55	100			

SPROCKET mm

TOOTH RADIUS r ₃	32
RADIUS WIDTH C	3.5
SPROCKET TOOTH WIDTH B ₁	18.5
SPROCKET TOOTH WIDTH b ₁	18.2
SPROCKET TOOTH WIDTH B ₂	54.6
SPROCKET TOOTH WIDTH B ₃	91

CHAIN mm

PITCH	31.75
INNER WIDTH	19.56
ROLLER - ø	19.05

1" 1/2 x 1" for roller chains in compliance with DIN 8187 ISO/R 606

z	d _e	d _p	SINGLE			DOUBLE			TRIPLE		
			d _m	D ₁	A	d _m	D ₁	A	d _m	D ₁	A
30	379.5	364.5	130	39	85						
38	476.2	461.39	140	44	90	180	44	100	200	62	150
45	581.2	546.2	140	44	90						
57	706.5	691.63	160	44	100	200	54	110	200	62	150
76	936.9	921.98	170	44	100	220	54	120	250	69	150

SPROCKET mm

TOOTH RADIUS r ₃	38
RADIUS WIDTH C	4
SPROCKET TOOTH WIDTH B ₁	24.1
SPROCKET TOOTH WIDTH b ₁	23.6
SPROCKET TOOTH WIDTH B ₂	72
SPROCKET TOOTH WIDTH B ₃	120.3

CHAIN mm

PITCH	38.1
INNER WIDTH	25.4
ROLLER - ø	25.4

Cast iron sprockets in the ASA version are not manufactured

* = SINGLE SPROCKETS WITH DOUBLE REINFORCEMENT